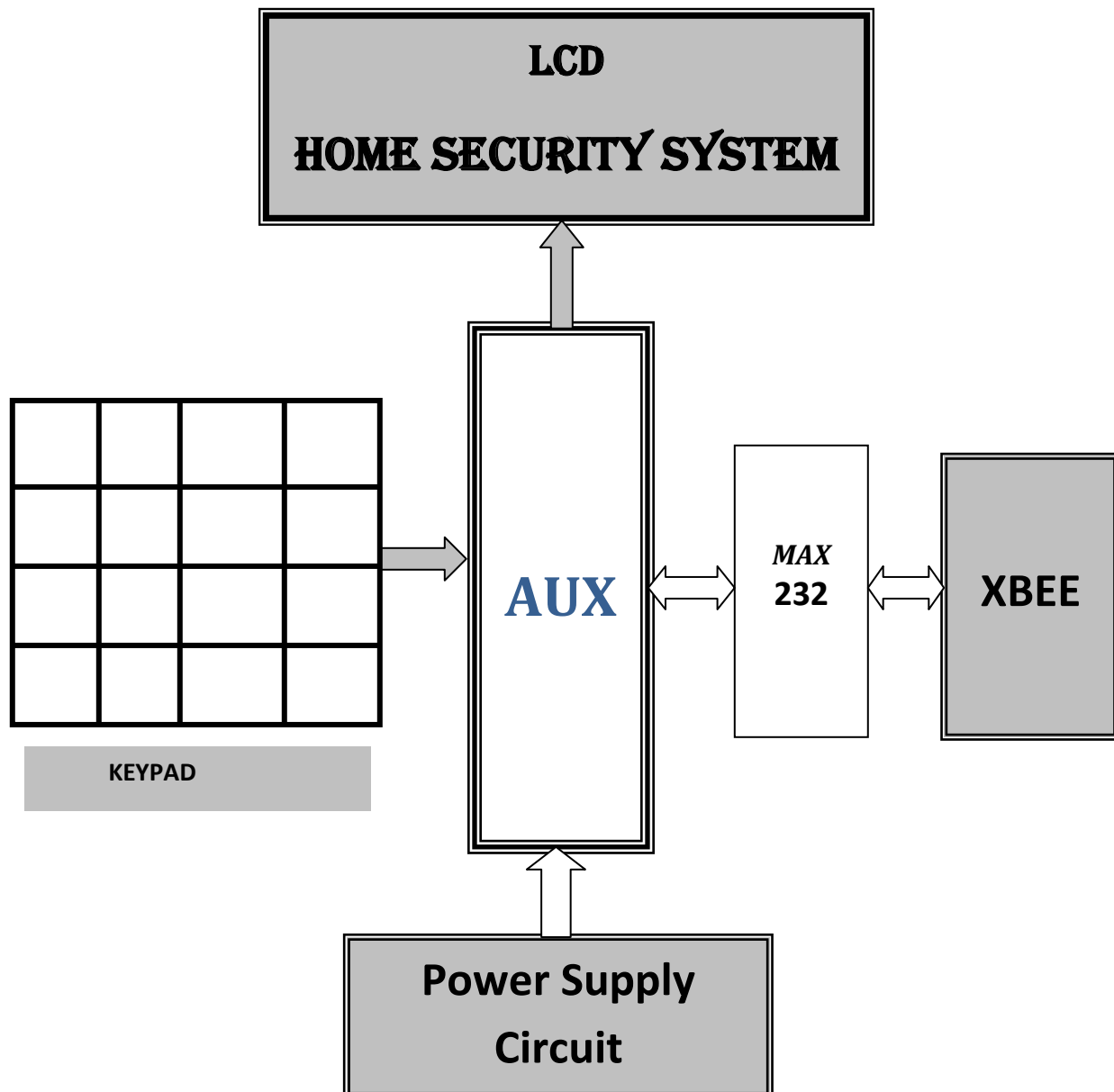


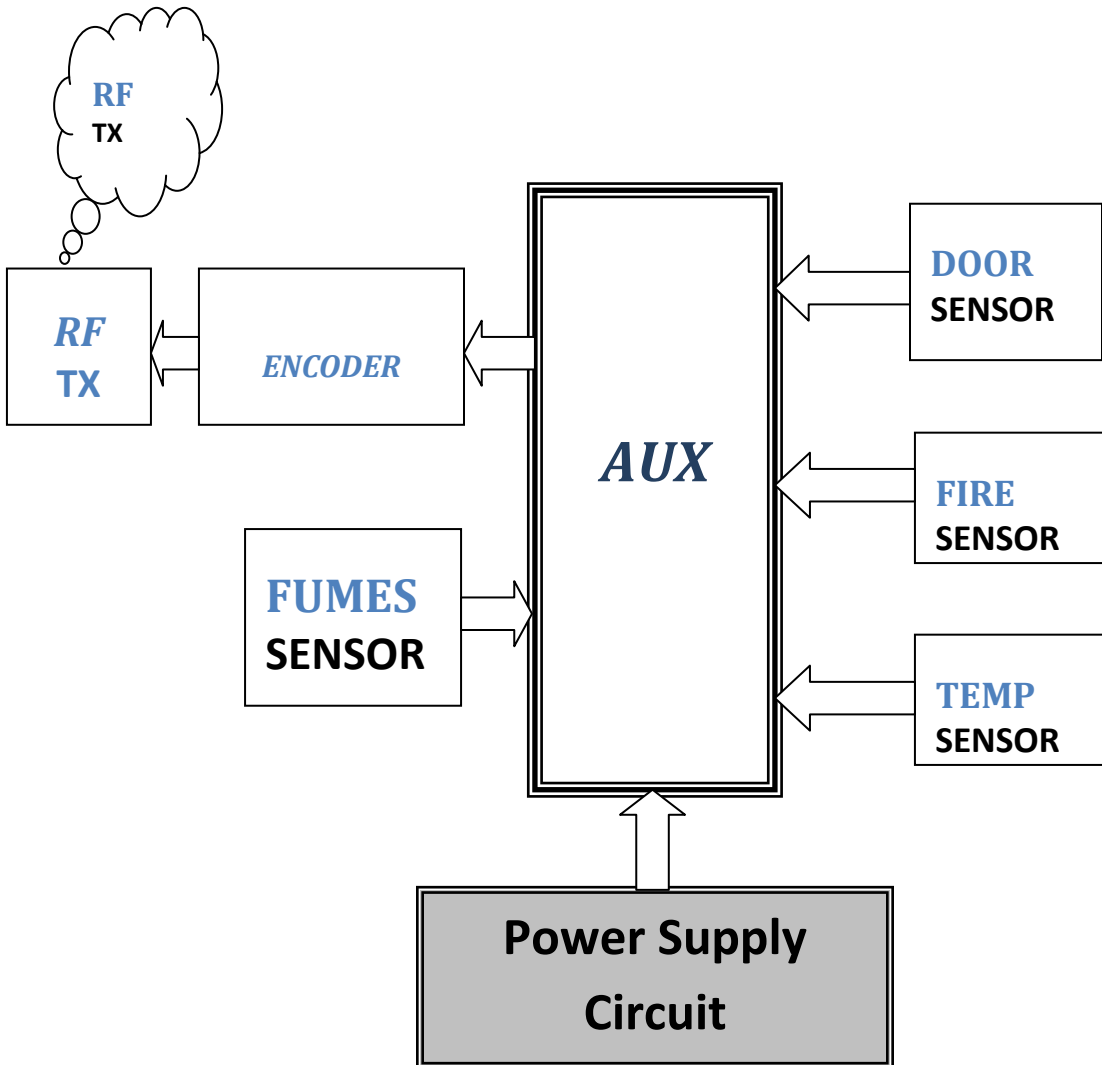
A ZigBee Based Home Automation System

This wireless security system is secure by detecting motion, Fire, Gas, doors and windows of home systems using wireless based communication. Sensors that detect intrusion, smoke, Fire and even the sound of a tornado can be integrated into alarm and home systems to provide a complete picture of what is going on inside and outside a home. Mobile communication and notification devices can be added to most security systems to ensure that everyone who should know there is a problem can be found and notified. Many systems can call several locations until the homeowner is found and enters a security code. More advanced systems offer the homeowner the ability get status through sms. What s happening inside the house in real time.

Master



Sensing unit



Appliance Control Circuit

