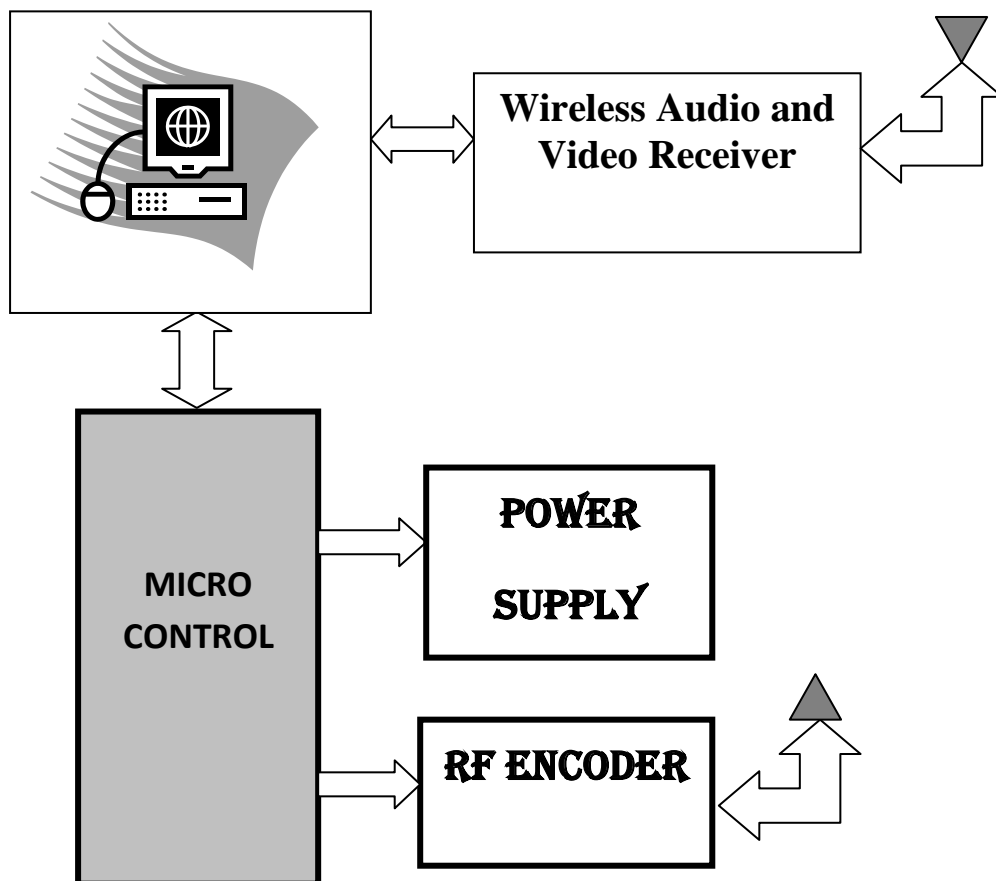


Bomb detection robotics using embedded controller

Synopsis

Detect the bomb by sending the robot to the respective place. A person can operate the system from personal computer through wireless RF control. The operator can control the system by visual moving pictures transmitted from the robotic system. If it senses there is a bomb means it gives the buzzer sound will be generated by the robot. It always possible that when influenced by destructive metals, it may lead to severe damages. For this purpose we configure a circuitry for metal detection in our project .We are making use of proximity sensors in our project. Proximity sensors when ferrous materials came closer to the sensors it senses and produces an output signal.

Block Diagram Of Transmitter unit



Block Diagram Of Receiver unit

