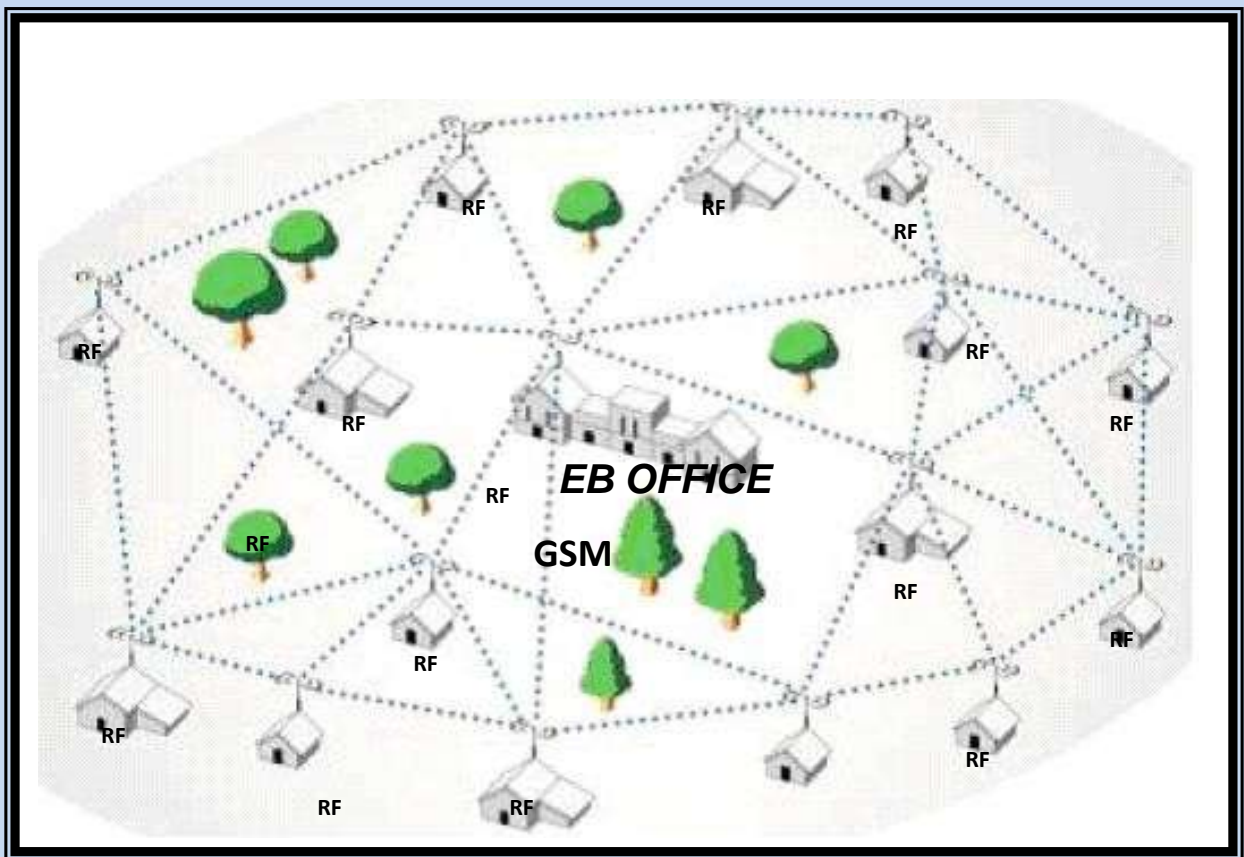


GSM Ad-hoc Routing Prepaid EB Billing System

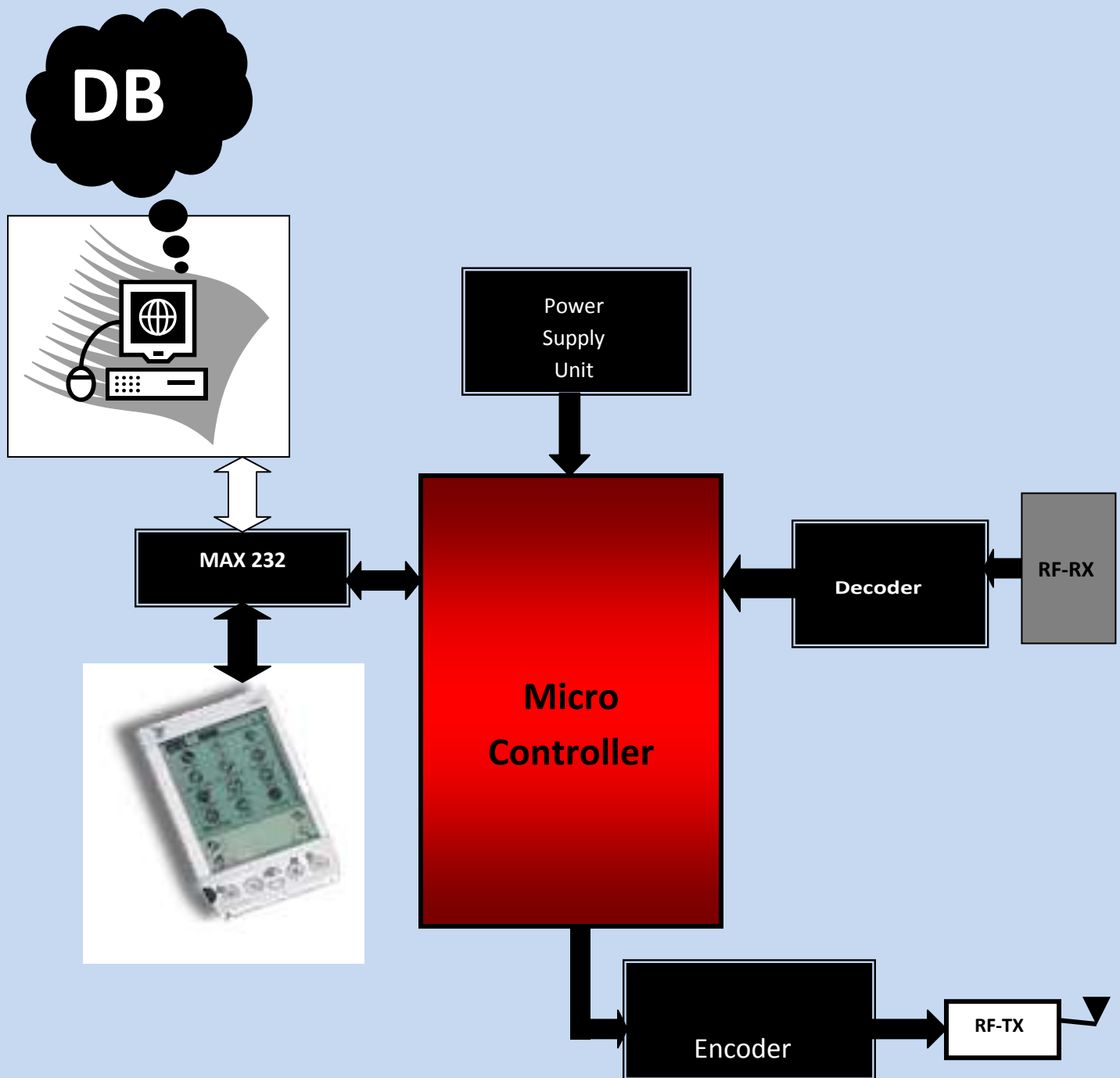
Aim:

This system automatically sends SMS to customer for EB bill cost of each two Months using GSM and auto billing with SMS reply systems. The system will work as auto billing system. Mobile ad hoc networks are the future of wireless networks. Why? Because they're practical, versatile, simple, easy to use and inexpensive! We will be living in a world where our network instantly updates and reconfigures itself to keep us connected anywhere we go.

These networks provide a new approach for wireless communication and by operating in a license free frequency band prove to be relatively inexpensive.



1. Wireless EB Office Module:

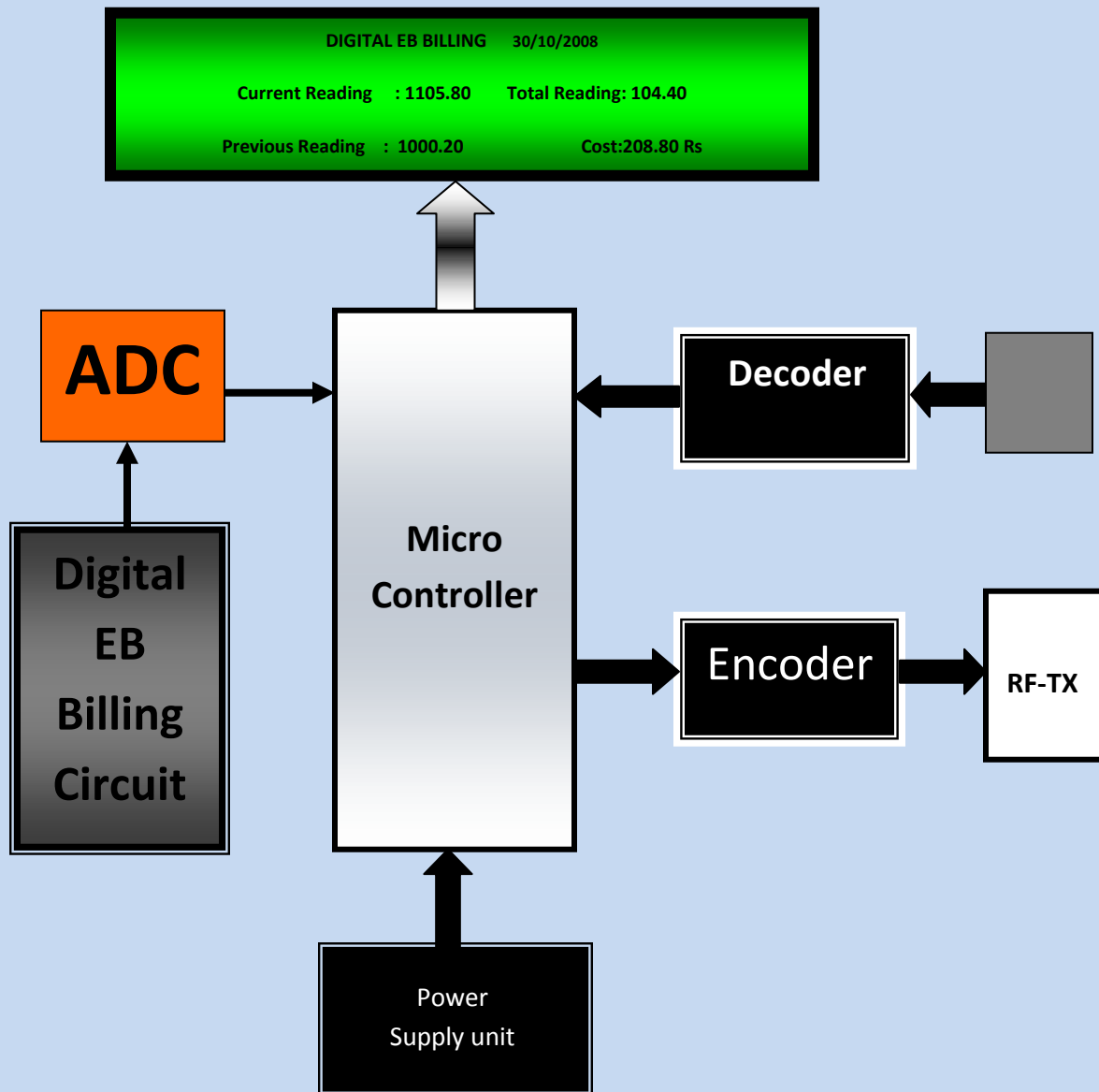


Description:

This Monitoring and Control system having three different modules,

- 1) GSM PC interface Unit
- 2) Ad-hoc network protocol design(Routing Algorithm)
- 3) Wireless Home control unit

2. Wireless Home EB System Unit:



1) *PC interface system:*

This is divided into two different modules,

- a) Serial Communication
- b) Data Base
- c) SMS using Fbus cable

2) Home interface unit:

This is divided into three modules,

- a) RF Ad-hoc protocol design,
- b) Display module
- c) Current reading unit

3) GSM

This system is used to read the data from power. Then for each day all data's are sending into PC via RF Ad-hoc protocol design communication. The data will send by nearest path of each house to jump and finally link to EB office. The PC will receive all data and display on the screen and stored in DB using C.

At the same time the controller will send the data (Status) into owner mobile via GSM communication.

Auto Send Systems:

- 1) Customer Name
- 2) Customer Address
- 3) Last Billing Date
- 4) Due Date of Billing
- 5) Total Cost for two months EB bill
- 6) Paid
- 7) Fine Amount

Advantage of these Systems:

- 1) Automation of all CUSTOMER to communicate through remote GSM using mobile
- 2) Save data using automatic control systems
- 3) Less cost to communicate
- 4) Less power to automate
- 5) Increase productivity
- 6) To increase n number of customer to communicate and automate.
- 7) Easy and fast billing system

Feature of these system:

1. To automate all customer to communicate through mobile via SMS Communication.
2. To modify this system into Mobile Banking GSM technologies.