

# **GSM High Performance ATM Card Security System**

## ***Aim:***

To Secure the ATM Card in new way and other state the card will disable to use by GSM. The other user can Access the money from ATM Using Mobile Communication and secure the theft.

## ***Description:***

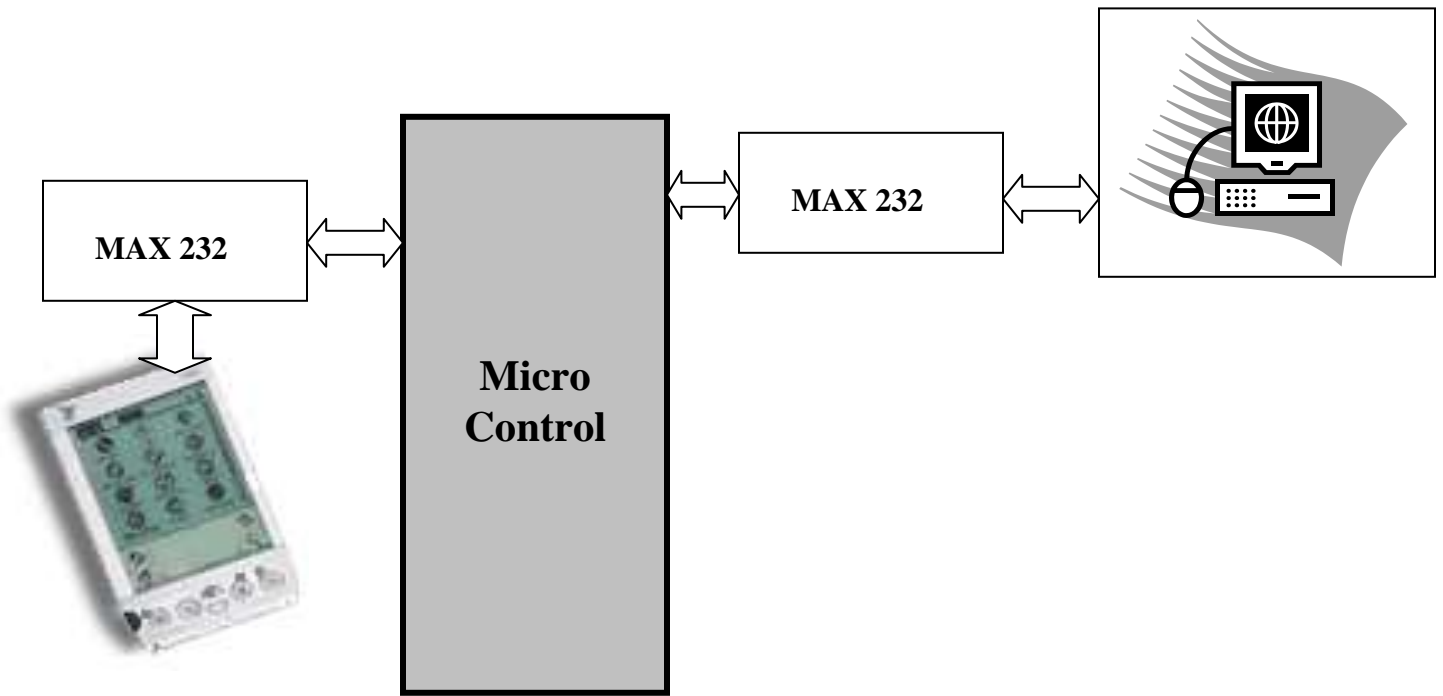
This system involves to any one access the ATM the auto SMS will come weather the money will transfer or not Using GSM Mobile for security System.

*This System is divided into three different modules,*

- 1) ATM Card Disable to Active on Mobile Communication*
- 2) Theft SMS Police information*
- 3) ATM Account Transaction through Mobile Communication*
- 4) Out of coverage GSM Communication*

## 2. SMS Access PC Unit :

This Micro control unit is connected to PC unit with help of GSM.



This System is used to Read the user ID and Password, and then read the money value PC to SMS communication. We can Access the money from ATM through GSM Technologies.

<i>S.NO</i>	<i>User SMS</i>	<i>ATM Unit SMS</i>	<i>Error</i>
1.	<i>User ID – 6 Digit</i>		<i>Type PWD</i>
2.	<i>Password -4 Digit</i>	<i>Acknowledged by ATM</i>  <i>(Please Enter Area Code)</i>	<i>PWD is not Perfect</i>
3.	<i>ATM Area Code-4 digit</i>	<i>(Please Enter Credit amount )</i>	<i>ATM Area Code-4 digit code is not matching</i>
4.	<i>Credit amount -5 digit</i>	<i>Transaction is ok, balance amount is .....</i>	<i>No Transaction or Signal Problem</i>

This system contains

1) *ATM Card Disable to Active on Mobile Communication*

*Whenever the ATM Card will disable you can draw money from through your mobile SMS communication.*

2) *Automatic Settings of SMS Money Access GSM Communication*

- a. *To read user name / ID and Password*
- b. *Read Money Value*
- c. *Conform to take to send SMS to User*
- d. *If User is Accepted money will transferred*
- e. *Else no Response*
- f. *More than 3 times the user or others access the ATM in Wrong code then the message will go to Police station, like ATM Number and address and ID number.*

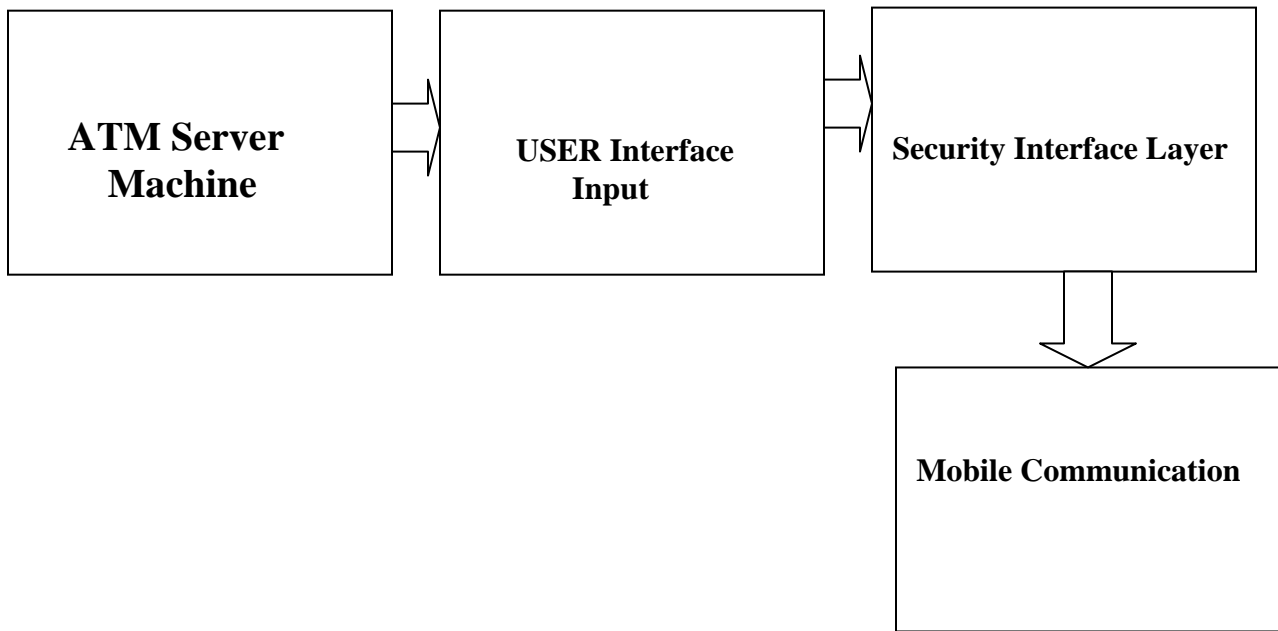
3) *Out of coverage GSM Communication*

- a. *Some time your giving ATM card to others to take money*
- b. *But you're going out of no coverage then you to send before the amount details to ATM.*
- c. *The systems will take query and It will wait on the queue to allow the transfer the amount*

4) *Theft SMS Police information*

- a. Any thief will attack you to take money from ATM , then you have to type reverse password
- b. ATM will communicate to nearest Police station
- c. By the time display will like Transaction is ..... will display on the screen
- d. To safe your money securely

**Functioning Block Diagram of ATM Security System:**



**Module: 1**

- 1) This system will implement by server side communication.
- 2) Whenever the user wants to take money from ATM the security is very less, so the User cannot secure their amount perfectly.
- 3) This system will support to secure your amount by help of Mobile communication.
- 4) This security will interface between User and Security Layer.
- 5) The User Account will be any outgoing transaction is happening the security will add in Mobile communication.
- 6) All the ATM Clients will communicate to ATM Main Server through internet Communication.
- 7) This system will support Mobile communication only.

- 8) Whenever the user wants take money from ATM they have to enable or disable the command from ATM through SMS Communication. (Ex: ATM E / ATM D).
- 9) If your ATM is enable the security will happened.
- 10) Whenever your taking money from ATM, the before transaction the system will communicate to your mobile.
- 11) If you have to enable or Disable the Command like yes / No.
- 12) If yes to send SMS the system will allow the transaction.
- 13) Otherwise the system will not permit any transaction.

### **Module: 2**

- 1) If you're in out of coverage the system will not able to support to do any transaction.
- 2) By the time you can message to server it will allow the transaction by SMS Communication.
- 3) Send SMS by Allow T.(Allow Transaction).

### **Module: 3**

- 1) If you're in other state the ATM card will not support to take money from the ATM.
- 2) This case the Mobile communication will support you.
- 3) Send SMS to server by ID-No, Password, ATM Name and ATM Machine Code.
- 4) The server sends you 4 Digit Password to your mobile.
- 5) Then you without card take money from any ATM Machine.

### **Module: 4**

- 1) If any Thief is asking money from you, then you have to type reverse password, then the Display will Transaction is going on the door will automatically will close and message will got to Nearest Police Station.

### **Methodology:**

- 1) **GSM FBUS – Protocol**
- 2) **RS232 Driver**
- 3) **PC database or Txt format linking**
- 4) **Encrypt and decrypt Algorithm development**