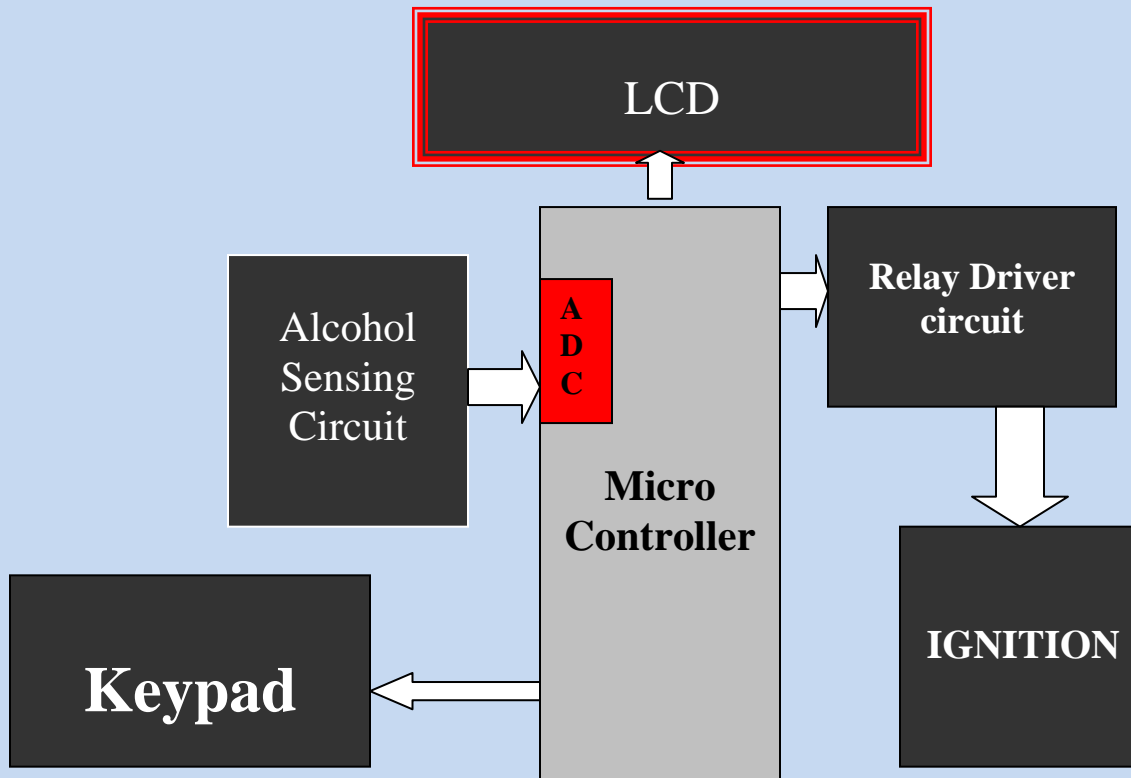


# Intelligent Alcohol Detection System for CAR

## Introduction:

This is used to Sense and drive the relay for ignition on/off for drug drive control system.

### 1) Block Diagram of Alcohol Sensing Circuit :



## Objective:

This system will sense the alcohol level of human body through sensor and control the drive to avoid accident.

- To enter the gas of alcohol level through key pad
- Then automatically the circuit will sense the alcohol and active the relay of ignition
- The ignition is connected to relay will control through microcontroller.
- All the level will display on the LCD.

## Methodology of this Project:

1. Gas Sensing model
2. Driver unit