

Proposal for a New Home Security System in terms of User-friendliness and Prompt Intrusion Notification(GSM CAR-ECOPS)

Aim:

This system is used to monitoring the two wheeler for find out the car whether it is available at our place or not using GSM Communication.

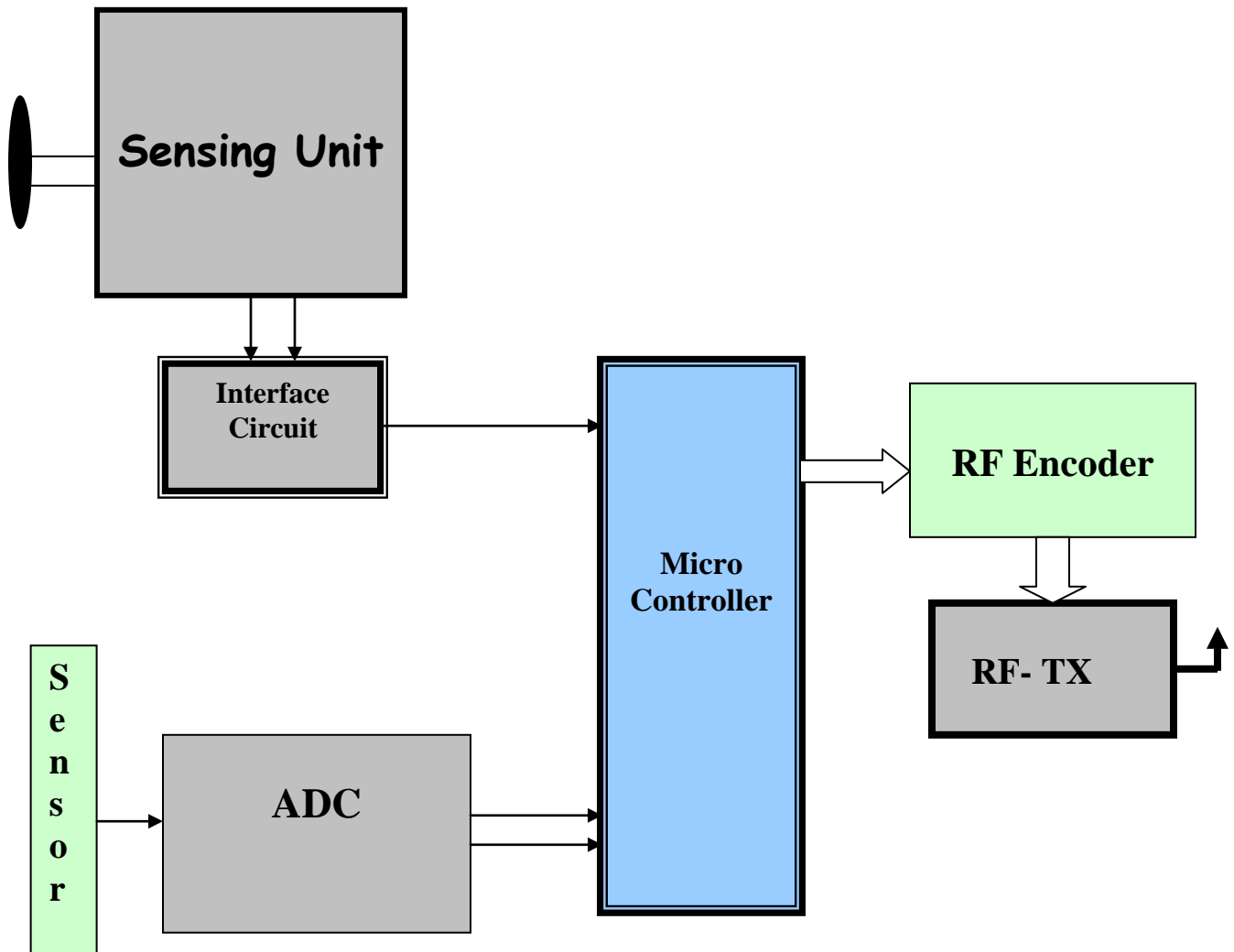
Description:

This system involves to Reading the Data from CAR through RF with sensors and sends the data to Master unit via wireless communication. The master interfaces RF 433MHZ via Display on LCD. Then we send access the data to mobile using GSM Fbus protocol.

This System is divided into four different modules,

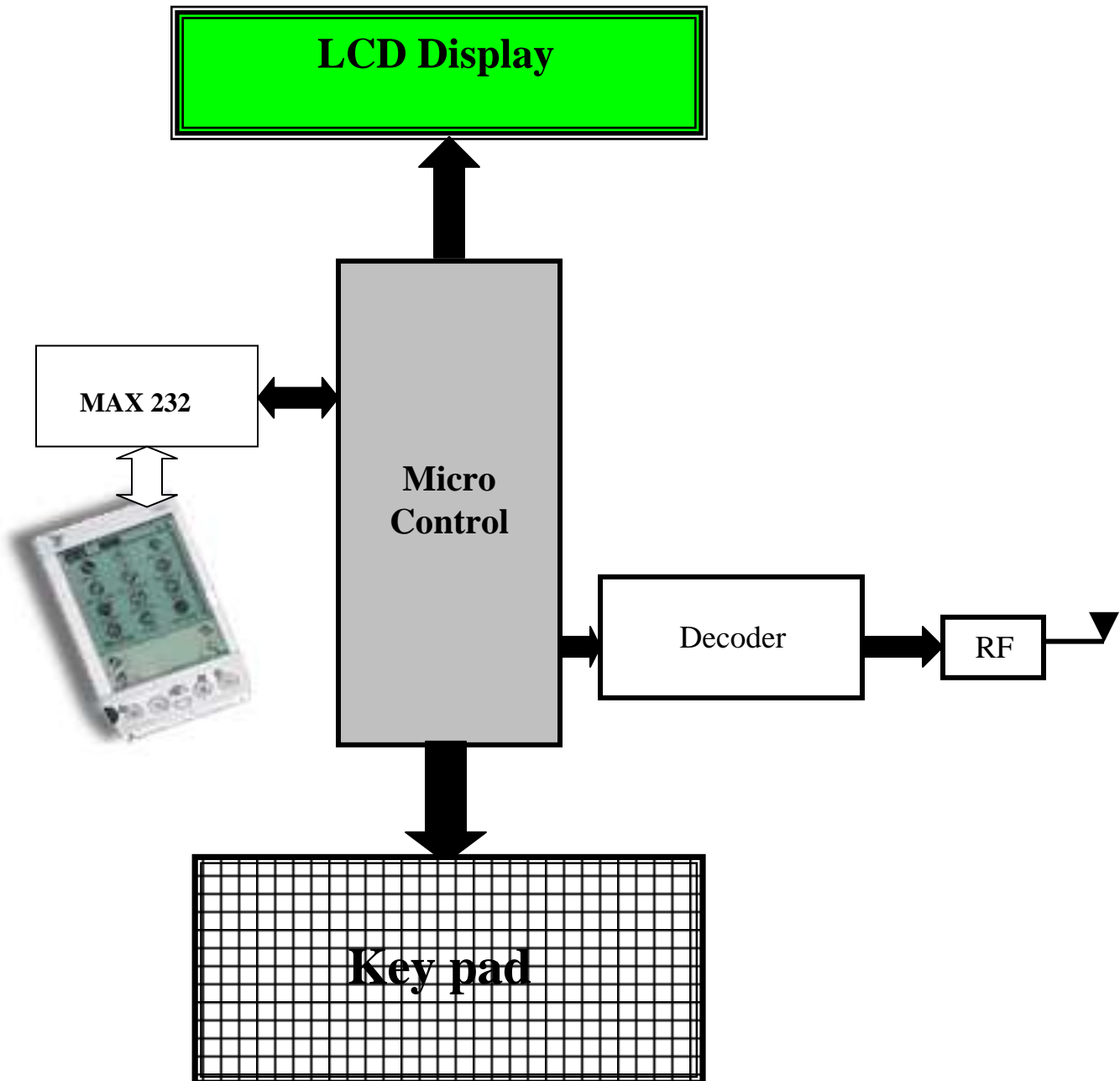
- 1) Master Unit*
- 2) Wireless control (RF) Unit*
- 3) Sensor Unit*
- 4) Display LCD unit*

1. Master and Wireless (RF) Unit



2. Sensor and RF Unit:

This Micro control unit is connected to RF receiver unit with help of RS232 and PC Unit.



This system contains

- 1) Automatic Settings
- 2) Semi automatic
- 3) Manual control

The data's will send it through this unit using wireless RF communication.