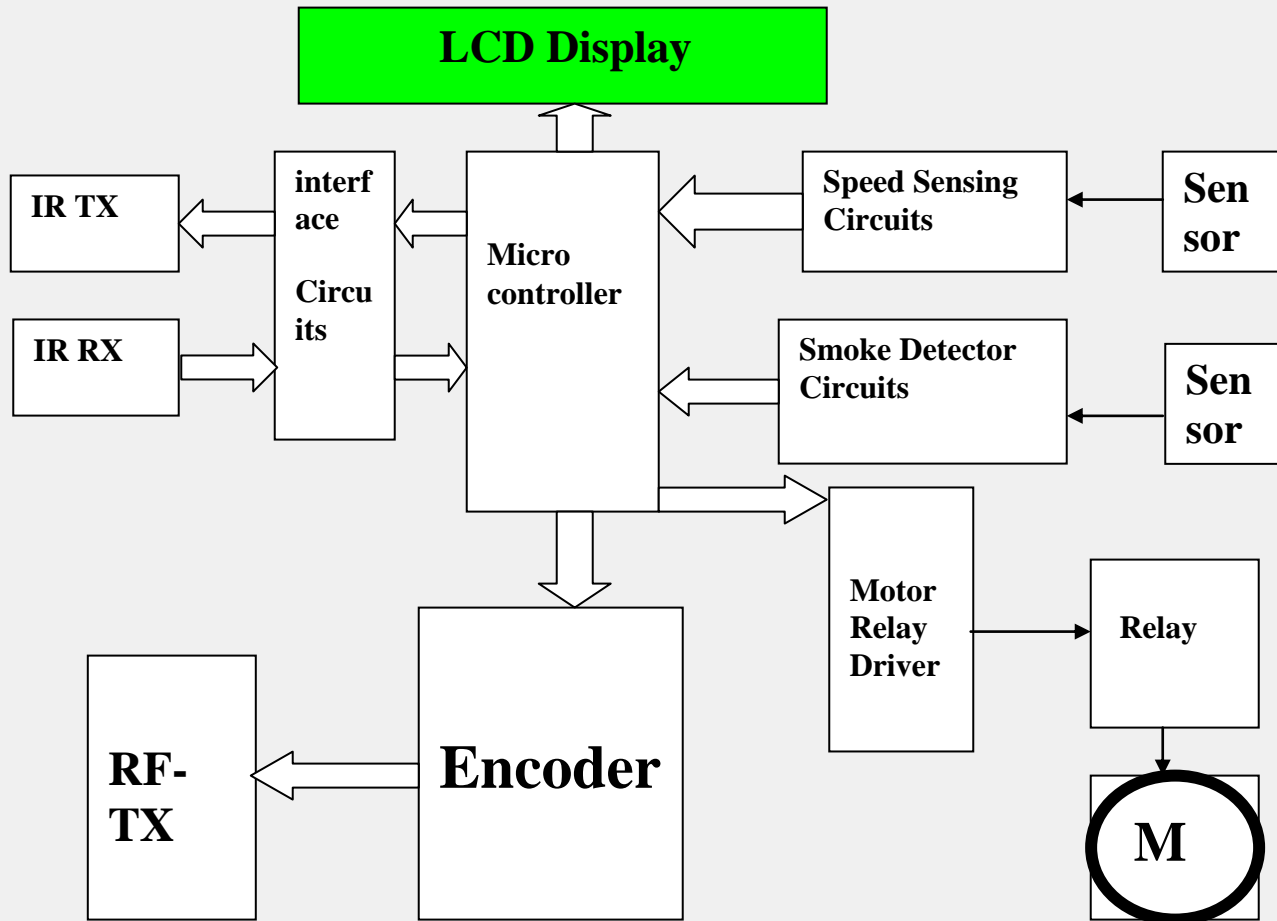
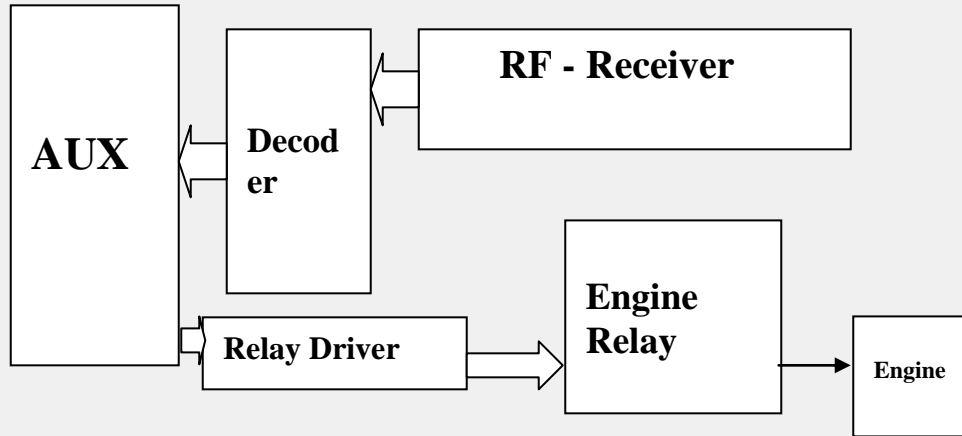


# Vehicle Speed Sensing and Smoke Detecting System

## Description

This system is used to detect the smoke and speed of the vehicle using Embedded Technologies.





**Next Generation**

To update the data and control and Monitoring all process of the vehicle.