

Wireless Mobile Banking Systems using GSM

Aim: This system is used to communicate between PC and user through mobile communication for banking and Medical system.

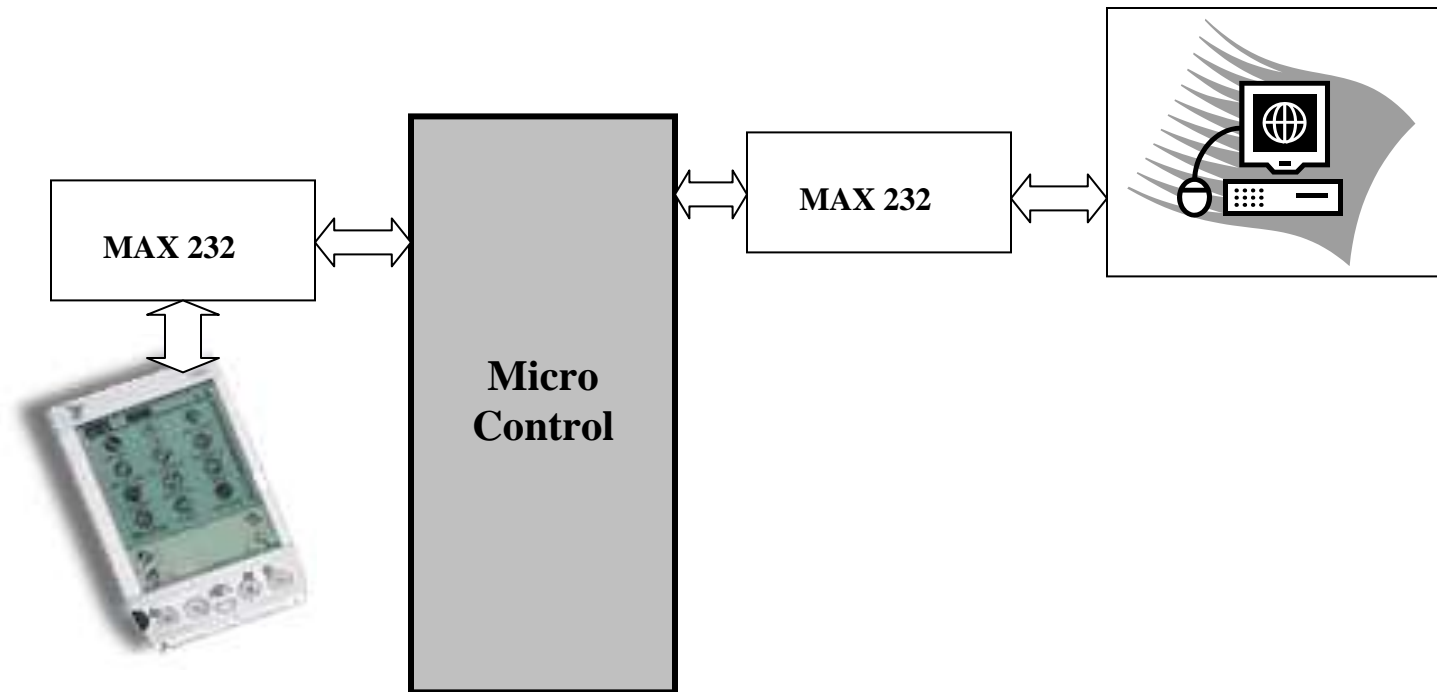
Abstract:

This system is used to Read the data from User mobile using GSM Communication. These systems can be used in all banking and customer care areas. Through this system we can access the data using mobile from PC using sms communication. This system involves in Reading the Data from PC and send the data to User mobile Using sms. From the user mobile all the details regarding banking will be sent through sms to the bank mobile, from bank mobile the sms is sent to PC there the transaction gets completed and a reply will be sent to the user mobile saying that the transaction is completed.

BLOCK DIAGRAM:

2. PC and GSM Unit:

This Micro control unit is connected to RF receiver unit with help of GSM and PC Unit.



Application:

- 1) Medical
- 2) Banking

Advantages:

- 1) Compact data access SMS system
- 2) Apply All BANKING
- 3) Real Time mode.

Future of this System:

- 1) Multi Transaction System for banking

