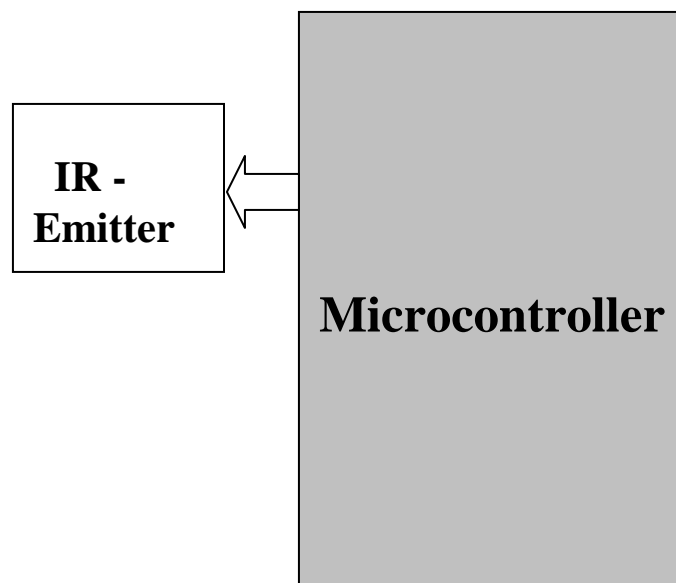


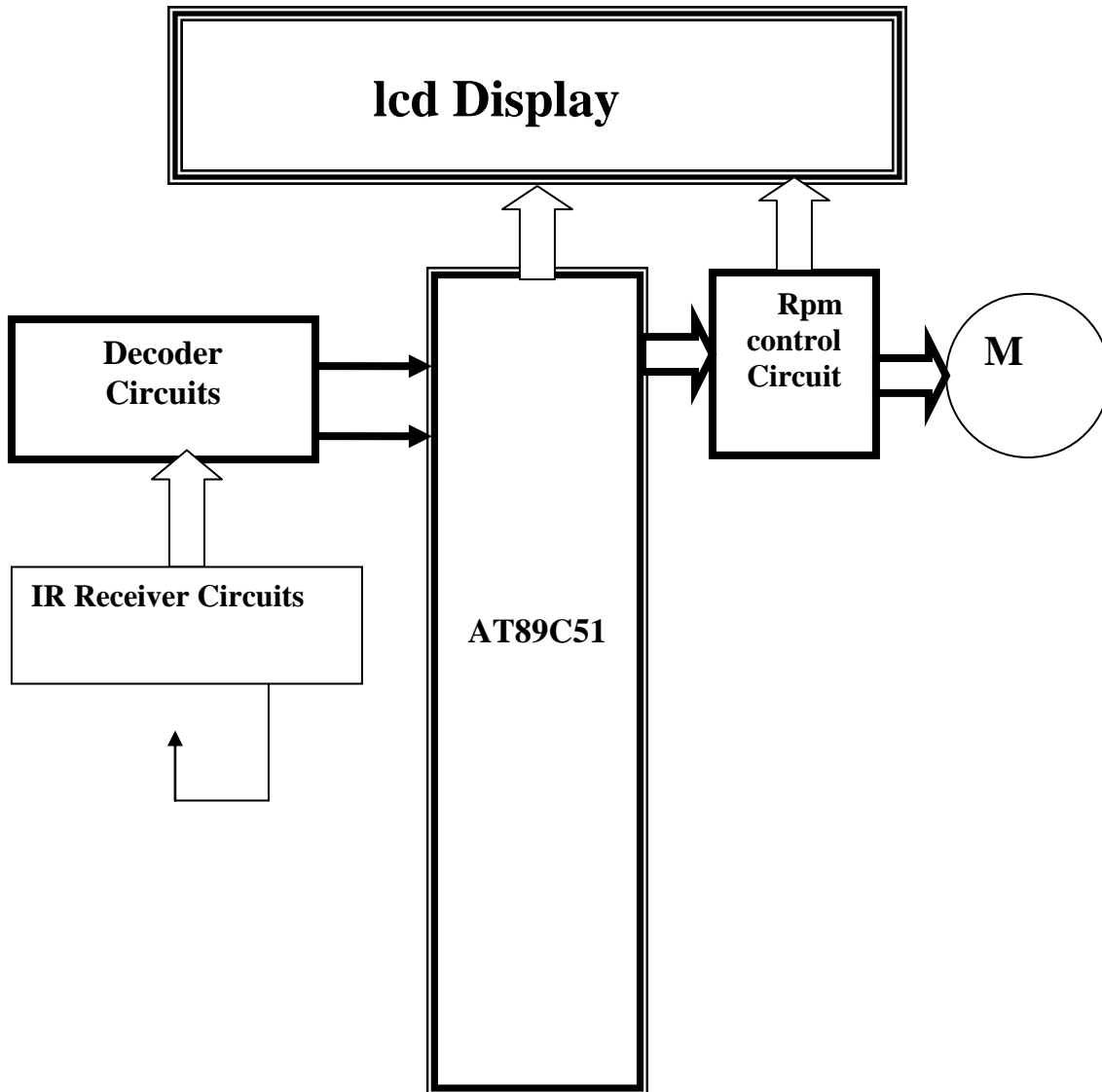
Wireless Motor Control System

Aim: This system is used to Control the Motor speed and Time using Remote control.

1) Wireless Transmitter Unit:



BLOCK DIAGRAM OF MOTOR CONTROL CIRCUITS:



This system is divided into 3 modules:

- 1) Transmitter unit:
- 2) Receiver Unit:
- 3) Control Unit

This system will work under IR communication and set time and RPM through remote control.